

EDD

NOTES:
UNLESS OTHERWISE SPECIFIED, TOLERANCES ARE $\pm .010"$ [.254mm].

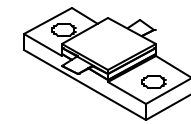
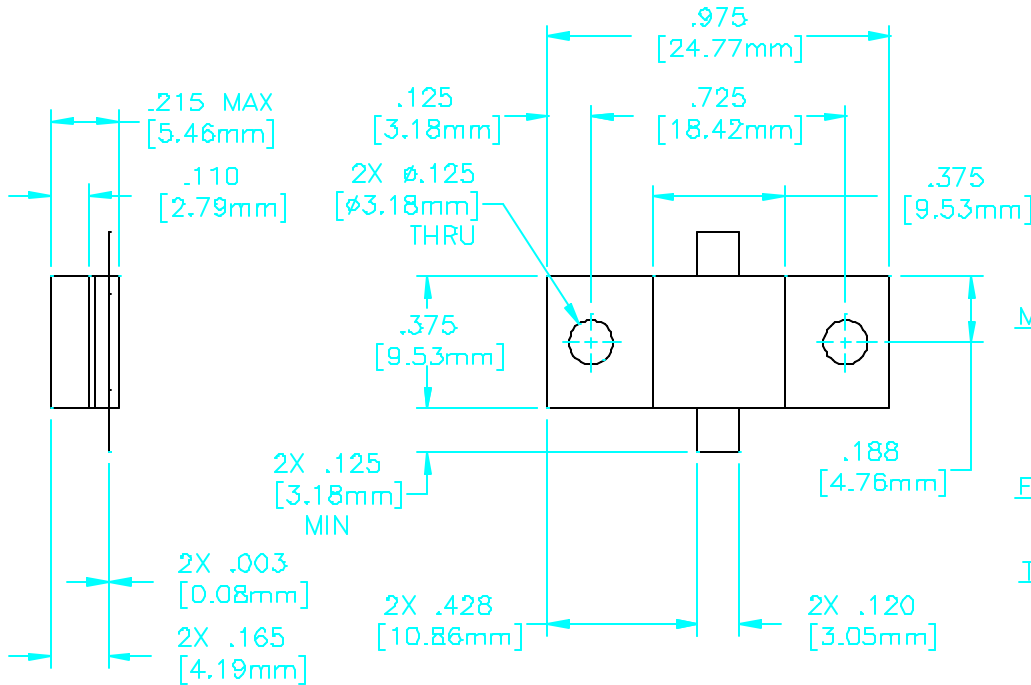
CAD#31-1004E

DRAWING NO.:

31-1004-*

REV.

E



MATERIALS:


MTG. FLANGE: COPPER PER ASTM B301
SUBSTRATE: BERYLLIUM OXIDE
COVER: ALUMINA OXIDE
TAB: BERYLLIUM COPPER PER ASTM B194
RESISTIVE FILM: NICHROME

FINISH:

MTG. FLANGE: NICKEL OVER COPPER
TAB: TIN/LEAD PER MIL-T-10727

TECHNICAL: (TERMINATION)

FREQUENCY RANGE (GHz): DC-1.0 GHz
TEMPERATURE COEFFICIENT: ± 200 PPM/ $^{\circ}$ C MAX
OPERATING TEMPERATURE ($^{\circ}$ C): -55° TO $+150^{\circ}$
AVERAGE POWER (WATTS): 250
DC RESISTANCE: 5-250 OHMS

				ECN# -	APVD	DATE	REFERENCE	 8851 OLD KANSAS AVE. STUART, FL. 34997 561-286-9300			
				UNLESS OTHERWISE SPECIFIED 1. DO NOT SCALE DRAWING 2. DIMENSIONS ARE IN INCHES 3. DIMENSIONS ARE AFTER PLATING 4. CORNERS, EDGES AND FILLETS: R MAX 5. SURFACE ROUGHNESS 6. REMOVE ALL BURRS			MATERIAL	TITLE RESISTOR, FLANGE MOUNT, 250 WATT			
							TOLERANCES .X \pm .XX \pm .XXX \pm ANGLES X' \pm				FINISH
				THE INFORMATION CONTAINED HEREIN IS (A) CONSIDERED PROPRIETARY TO FLORIDA R/F LABS INC.; (B) PROTECTED BY COPYRIGHT OWNED BY FLORIDA R/F LABS INC.; (C) CONSIDERED A "WORK FOR HIRE" UNDER COPYRIGHT LAWS; (D) PROTECTED BY TRADE SECRET LAWS WHICH MAKE ILLEGAL THE MISAPPROPRIATION OF THIS INFORMATION; AND (E) IS TO BE USED SOLELY FOR THE PURPOSE WHICH IT IS SUPPLIED. THIS INFORMATION SHALL NOT BE DISCLOSED IN WHOLE OR IN PART, TO ANY PARTY, FOR ANY REASON WITHOUT THE EXPRESS WRITTEN CONSENT OF A QUALIFIED EXECUTIVE OF FLORIDA R/F LABS INC.			SCALE	CAGE CODE ID NO.	SIZE	DRAWING NO.:	REV.
				A	ECN#01085	JAD 11/05/01	2/1	2Y194	A	31-1004-*	E
REV.	DESCRIPTION	DRAWN	APVD.				MFG:	CHKD.:	DRAWN: JAD 11/05/01	SHEET 1 OF 2	